

Further information

Battery and battery life

Your Relay Coach BLE has a **3.7V 5Ah LiPo rechargeable battery**.

- **Low battery indicator:** When the battery becomes low, the PWR/CHR led flashes red.
- **Recharge the battery:**
 - Insert the USB cable into the USB port of your Relay Coach BLE. Then connect it to the power cable (supplied with adapter).
 - It is recommended to make complete charges (charging time: 10h).
 - When the battery is fully charged, the device has a battery life of 80h.
 - The PWR/CHR led flashes green to indicate that the battery is full.
 - By default, your Relay Coach BLE automatically turns off after 1 hour of inactivity, in order to save the battery.

Technical sheet

- Weight: 270 g
- Dimensions: 155 x 95 x 35 mm
- Compatibility: FxChip, LED Display
- Technology: Bluetooth (BLE)
- Memory: 6000 LAPs
- Battery: 3.7V 5Ah LiPo
- Battery life: 80 hours
- Water resistance: IP67
- Operating temperatures: -20°C to +50°C

Technical support

Find our FAQ (Frequently Asked Questions), as well as other manuals and user guides, on our website at: www.freelap.com/support

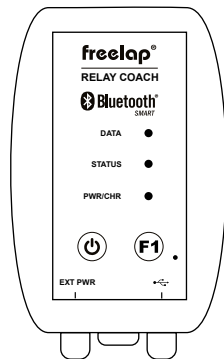
If you cannot find the answers to your questions, please contact your Freelap dealer. Find the list of Freelap dealers at: www.freelap.com/freelap-contact

After-sales service & warranty

The Relay Coach BLE is guaranteed 2 years. If you have any questions or if you need assistance with your device, please contact your Freelap dealer.

freelap[®]
freedom of timing

Relay Coach BLE



FREELAP SA

Av. D.-Jeanrichard 2A CH-2114 Fleurier – Switzerland
+41 32 861 52 42 - www.freelap.com



@freelap

About the Relay Coach BLE

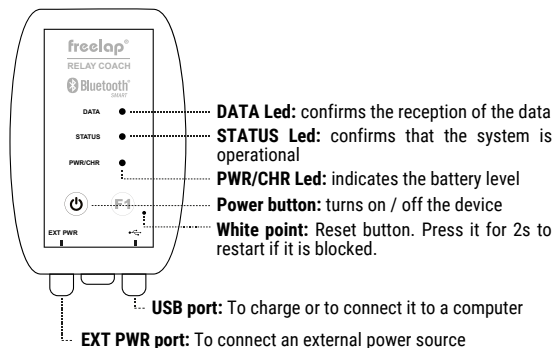
Your Relay Coach BLE is the Freelap device which makes the link between your FxChip transponder and your mobile device. The Relay Coach BLE automatically receives the timing data collected by your transponder when the athlete passes the FINISH transmitter and instantly sends it via Bluetooth to your mobile device.

Use of the Relay Coach BLE

1. Prerequisites

The Relay Coach BLE is a part of the Freelap timing system. To get your timing data, you must **attach the transponder to the athlete, turn on and place the transmitters on the track, and use the MyFreelap app** (cf corresponding user manuals).

2. Get to know your device



3. Place the Relay Coach BLE

- Attach the Relay Coach BLE case to its tripod or to its clip for post (at a height of 1 meter).
- **Place it after the FINISH transmitter, at a distance of max 10m.**



Placing the device to any other location or position may result in inaccuracies or non-detection.

4. Turn on the Relay Coach BLE

- **Press 2 seconds on the Power button to turn it on.**

5. Memory

Your Relay Coach BLE has a memory of 6'000 Laps. If you have not used the MyFreelap app on site, you will be able to download the data collected during the training later (so up to 6'000 Laps).

6. Information & Settings

To get information about your Relay Coach BLE and to set your settings preferences, you must **download and use "Freelap Device Manager" app**.

You will be able to:

- Change the name of the device
- Check firmware and Bluetooth versions
- Update the device when a new update is available
- Download the data stored into your Relay Coach BLE (.csv file)
- Set the trigger time of the automatic shutdown function

More info about FDM app at:

www.freelap.com/support/freelap-device-manager-user-guide